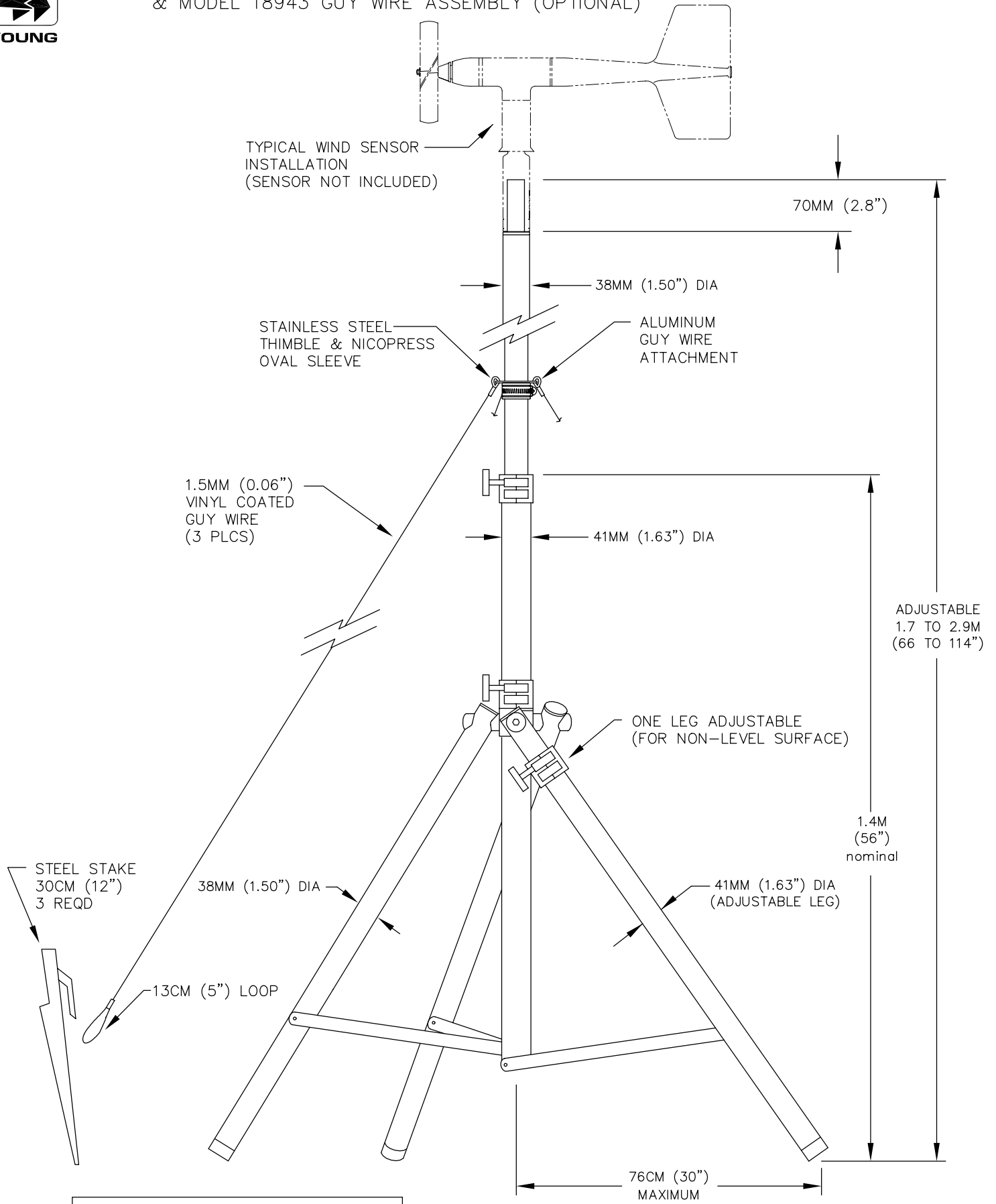




MODEL 18940 PORTABLE TRIPOD
& MODEL 18943 GUY WIRE ASSEMBLY (OPTIONAL)



WEIGHT: 4.1 KG (9 LB)
COLLAPSED SIZE: 61" x 7" x 7"
MATERIALS OF CONSTRUCTION: ALUMINUM PLASTIC & STAINLESS STEEL FITTINGS

MODEL 18940 PORTABLE TRIPOD &	DWG A	PRD 10-91
MODEL 18943 GUY WIRE ASSY (OPTIONAL)	DWN KL	DWG 10-97
	CHK	Y A18940
R.M. YOUNG CO. TRAVERSE CITY, MI 49686 U.S.A. 231-946-3980		